

Aquafil FlexiShower

Double Sided Shower and Bottle Refill Station

SKU: AQ-FS2100(DS)

Aquafil FlexiShower Double-sided Outdoor Shower features two shower heads on either side and comes with two anti-bacterial bottle refill points, perfect for beaches with high foot traffic. Customisable, integrated signage panels come as standard, with dog drinking bowl, water meter, foot wash, and filter available on request.

With a time-flow valve that minimises water waste as well as corrosion-resistant, heavy-duty stainless steel construction, the Aquafil FlexiShower is the ideal addition to any public beach or waterfront precinct.

Key Inclusions

- Two Water Bottle Refill Points (AS1428.2 1992 Compliant)
- Two Shower Heads
- Time-Flow Valve
- Stainless Steel Construction
- Stainless Steel Buttons
- Drainage Cage
- Custom Art Panels with UV and Anti-Graffiti Protection

Customisation Options

- Dog Bowl
- Filter
- Water Meter
- Foot Wash
- Service Tap

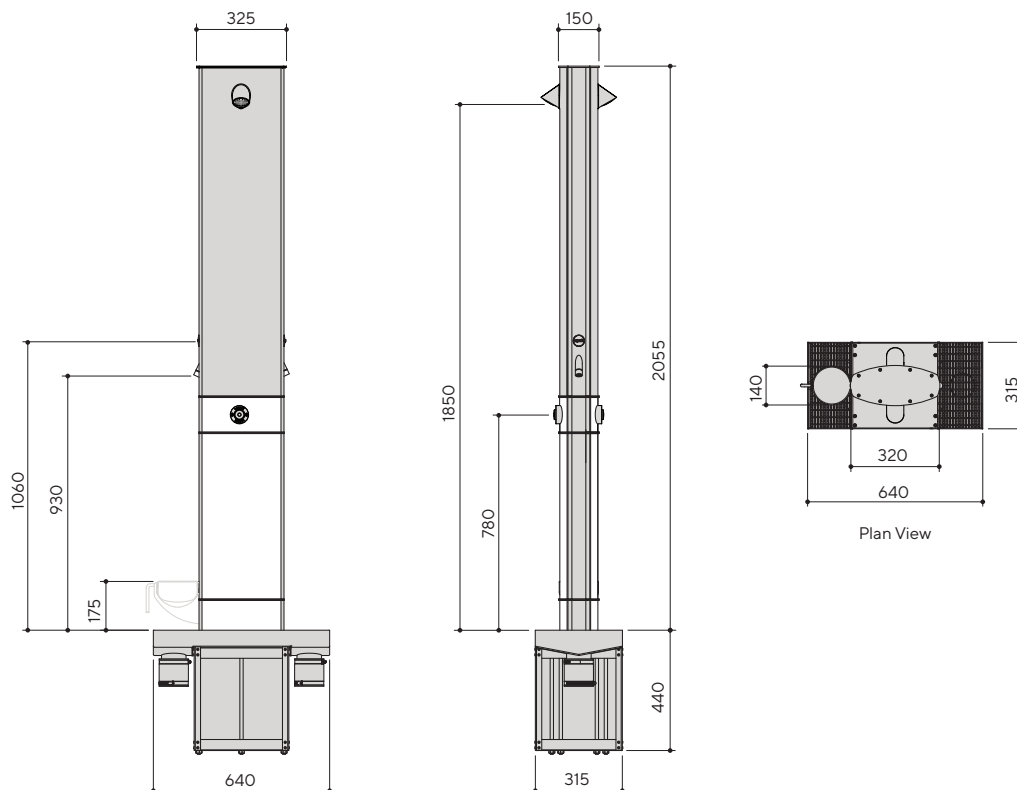


Technical Details

Housing Frame	Stainless steel
Housing Unit	Anodised aluminium
Graphic Panels	Stainless steel
Filter Unit Position	Sub-micron or 5 micron
Filter Unit Working Pressure	10-125 psi (0.7-8.5 bar), non-shock
Water Supply Connections	1/2" supply line with 1/2" male BSP connection
Drainage	50mm PVC
Shipping Dimensions	220 x 40 x 80cm
Shipping Weight	80kg

Specification Text

Aquafil Outdoor Shower and Drinking Water Station - 2055H x 315W x 640D. Complete with drainage cage, two shower heads, and AS1428.2 1992 compliant bottle fillers. Full stainless-steel construction with UV and anti-graffiti protected interchangeable custom graphic panels. Optional dog bowl, filter, meter, foot wash, service tap and maintenance package. Product Code AQ-FS2100(DS).



Visit civiq.com.au to access the most recent data, CAD files and installation instructions.