

# Cycla Fixit

## Bicycle Repair Station

SKU: CY-FIXIT

Comprehensive Bike Repair Station with essential bike repair and maintenance tools.

Attach your bike to the Cycla Fixit stand, enabling you to make repairs with ease. Adjust brakes, tune derailleurs, and replace tyres. Secure stainless steel cables and tamper-proof fasteners ensure tools are easy to access and use.

Designed and manufactured in USA with patents D680,914 S1 and US 9,498,880 B2.

Ideal for public spaces, recreational trails, cycle paths, and end-of-trip facilities.

### Features

- Includes commonly used tools for simple bike maintenance
- Accommodates most bike types with hanger arms
- High-security tamper-resistant fasteners
- Braided stainless steel aircraft cables secure tools
- Swivel connected Screwdrivers and Allen Wrenches

### Tools Included

- Philips and flat head screwdrivers
- 2.5, 3, 4, 5, 6, 8mm Allen wrenches
- Headset wrench
- Pedal wrench
- 8, 9, 10, 11mm Box Wrenches
- Tyre levers (2)
- T25 Torx wrench

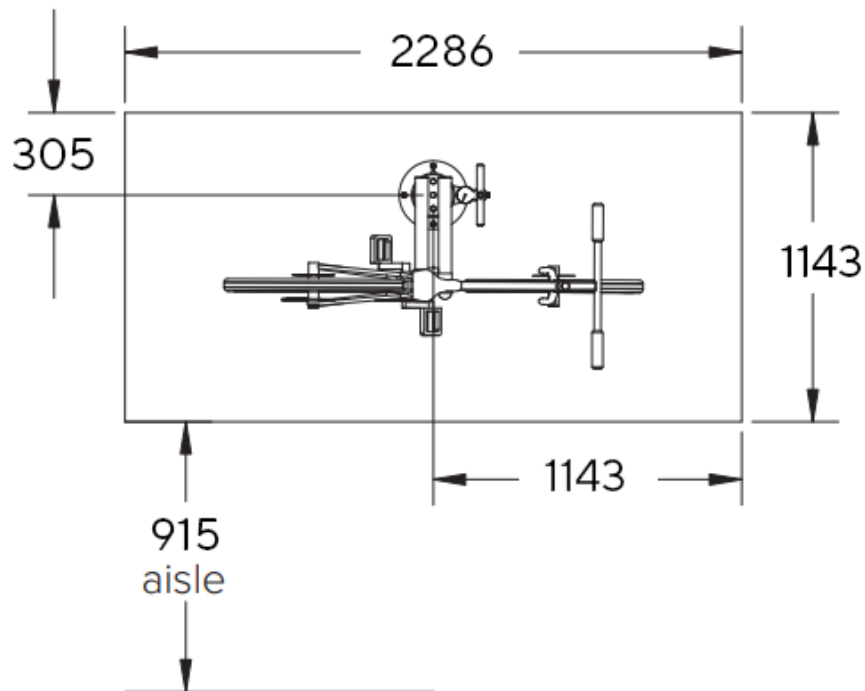


## Technical Details

Fixing	Bolt-down base plate
Materials & Construction	Main body: 152 dia x 4mm pipe Bike Hanger: 40nb pipe, 6mm plate Foot plate: 250 dia x 6mm t Tool tethers: 4mm stainless steel cable
Finish Options	Galvanised steel powder coat grey (standard) Add colour vinyl wrap Add branded graphic wrap
Dimensions (approx)	1500 x 150 x 460mm

## Specification Text

Cycla Indoor and Outdoor Bicycle Repair Station - 1500H x 150W x 460D. Galvanised steel construction with grey power coat, complete with commonly used tools: Philips and flat head screwdrivers, Allen wrenches (2.5, 3, 4, 5, 6, 8mm), Headset wrench, Pedal wrench, Box wrenches (8, 9, 10, 11, 15, 32mm), T25 Torx wrench and Tire levers (2). Connected to the station by braided stainless steel aircraft cables. Optional finishes: add colour vinyl wrap or branded graphic wrap. Product Code CY-FIXIT.



Visit [civiq.com.au](http://civiq.com.au) to access the most recent data, CAD files and installation instructions.