

Elkay EZH2O Auto-Sensor In-Wall

Bottle Filling Station (Refrigerated)

SKU: LZWSM82K

The Elkay EZH2O® Auto-Sensor chilled water bottle refilling station is distinguished by its space-saving design and auto-sensor technology.

The unit quickly delivers fresh drinking water through an anti-microbial bottle refill nozzle whilst enhancing sustainability by reducing the user's dependency on disposable plastic bottles. The sanitary no-touch activation sensor has a 20-second shut-off time, while the Green Ticker counts the number of bottles saved from waste.

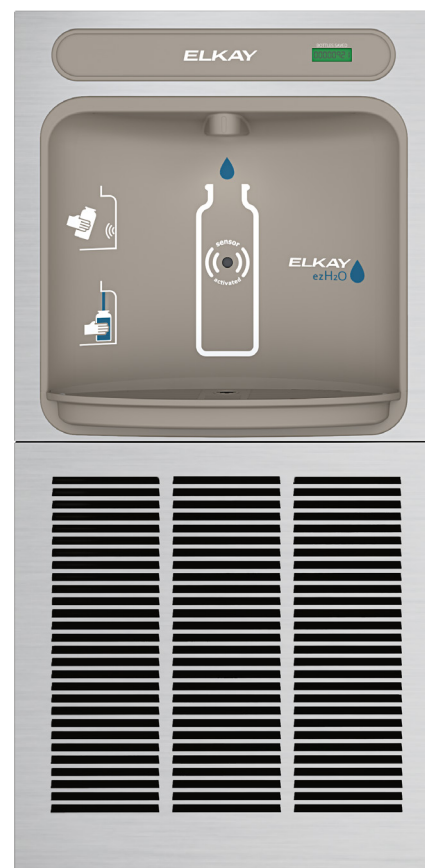
The EZH2O Auto-Sensor is the ideal product for architectural interiors, delivering chilled bottle refills for users on the go.

Key Inclusions

- AS1428.2 1992 Bottle Refill
- Refrigerated Water
- Fully Recessed In-Wall Design
- Stainless Steel Construction
- Auto Sensor Activation
- Quick Fill Rate
- Drainage System to Prevent Stagnant Water Build-up

Special Features

- Antimicrobial, Filtered
- Green Ticker™
- Hands Free,
- Laminar Flow
- Real Drain
- Visual Filter Monitor

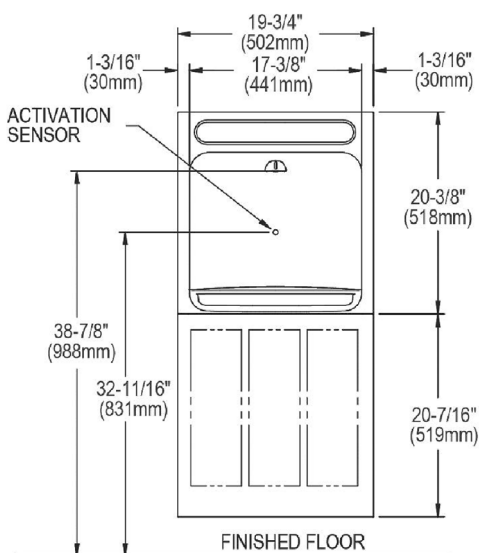


Technical Details

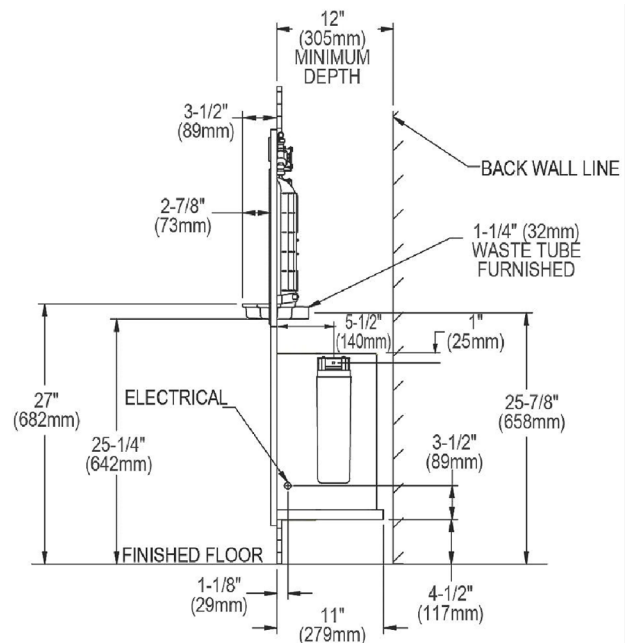
Material and Finish	Stainless steel
Power	220V/50Hz B
Activation By	Electronic Bottle Filler Sensor
Mounting Type	Wall Mount (Inwall Frame/Plate)
Chilling Capacity*	30 LPH
Full Load Amps	1
Rated Watts:	370
Filter Option	1 micron or 5 micron
Dimensions	51 x 9 x 104 cm
Shipping Weight	35 kg
Installation Location	Indoor

Specification Text

Elkay EZH2O® Bottle Filling Station In-Wall Filtered Refrigerated Stainless 220V. Chilling Capacity of 30 LPH (litres per hour) of 10 C drinking water, based on 27 C inlet water and 32 C ambient, per ASHRAE 18 testing. Features shall include Antimicrobial, Filtered, Green Ticker™, Hands Free, Laminar Flow, Real Drain, Visual Filter Monitor. Electronic Bottle Filler Sensor activation. Product shall be Wall Mount (Inwall Frame/Plate), for Indoor applications, serving 1 station(s). Product code: LZWSM82K.



Front View



Side View

Visit civiq.com.au to access the most recent data, CAD files and installation instructions.