

Elkay EZH2O Auto-Sensor In-Wall

Bottle Filling Station (Non-Refrigerated)

SKU: LZWSMDJOK

The Elkay EZH2O® Auto-Sensor in-wall water bottle refilling station is distinguished by its slimline, space-saving design.

The unit quickly delivers fresh drinking water through an anti-microbial bottle refill nozzle whilst enhancing sustainability by reducing the user's dependency on disposable plastic bottles. The sanitary no-touch activation sensor has a 20-second shut-off time, while the Green Ticker counts the number of bottles saved from waste.

The EZH2O Auto-Sensor is wrapped in an elegant stainless steel frame plate that sits flush with the wall ideal product for architectural settings including office buildings and campuses.

Key Inclusions

- AS1428.2 1992 Bottle Refill
- Fully Recessed In-Wall Design
- Stainless Steel Construction
- Auto Sensor Activation
- Quick Fill Rate
- Filtered
- Drainage System To Prevent Stagnant Water Build-Up

Special Features

- Antimicrobial
- Green Ticker™
- Hands Free
- Laminar Flow
- Real Drain
- Visual Filter Monitor

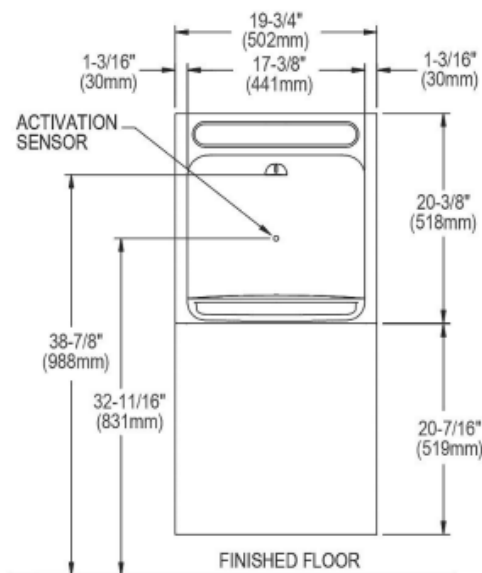


Technical Details

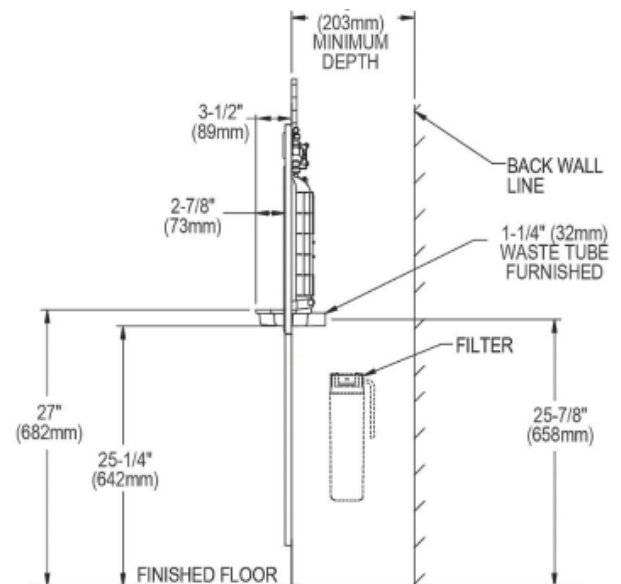
Material and finish	Stainless Steel
Power	220V/50Hz
Activation by	Electronic Bottle Filler Sensor
Mounting Type	Wall Mount (Inwall Frame/Plate)
Chilling Option	Non-refrigerated
Filter Option	1 micron or 5 micron
Dimensions	51 x 9 x 104 cm
Shipping Weight	15 kg
Installation Location	Indoor

Specification Text

Elkay EZH2O® Bottle Filling Station In-Wall Filtered Non-Refrigerated Stainless 220V. Features shall include Antimicrobial, Filtered, Green Ticker™, Hands Free, Laminar Flow, Real Drain, Visual Filter Monitor. Electronic Bottle Filler Sensor activation. Product shall be Wall Mount (Inwall Frame/Plate), for Indoor applications, serving 1 station(s). Product code: LZWSMDJOK.



Front View



Side View

Visit civiq.com.au to access the most recent data, CAD files and installation instructions.