

Cycla Fixit Plus

Bicycle Repair Station

SKU: CY-FIXIT-1

Fix a Flat, Tune Your Ride: The Fixit Plus Bike Repair Station Has You Covered!

Don't let flat tyres or cranky brakes slow your community down. The Fixit Plus is your one-stop shop for quick and easy bike repairs. This handy bicycle repair station comes with all the tools you need for basic maintenance, from swapping a tube to adjusting your gears.

The tools are attached to the stand with stainless steel cables and tamper-proof fasteners. Hanging the bike from the hanger arms allows the pedals and wheels to spin freely while making adjustments.

Ideal for public spaces, recreational trails, cycle paths, and end-of-trip facilities.

Features

Designed for Harsh Duty Indoor and Outdoor Public Use
Includes Most Commonly Used Tools for Simple Bike Maintenance
Hanger Arms Accommodate Most Types of Bikes

Tools Included

Philips and flat head screwdrivers
2.5, 3, 4, 5, 6, 8mm Allen wrenches
8, 9, 10, 11, 15, 32mm Box Wrenches
T25 Torx wrench
Tyre levers (2)

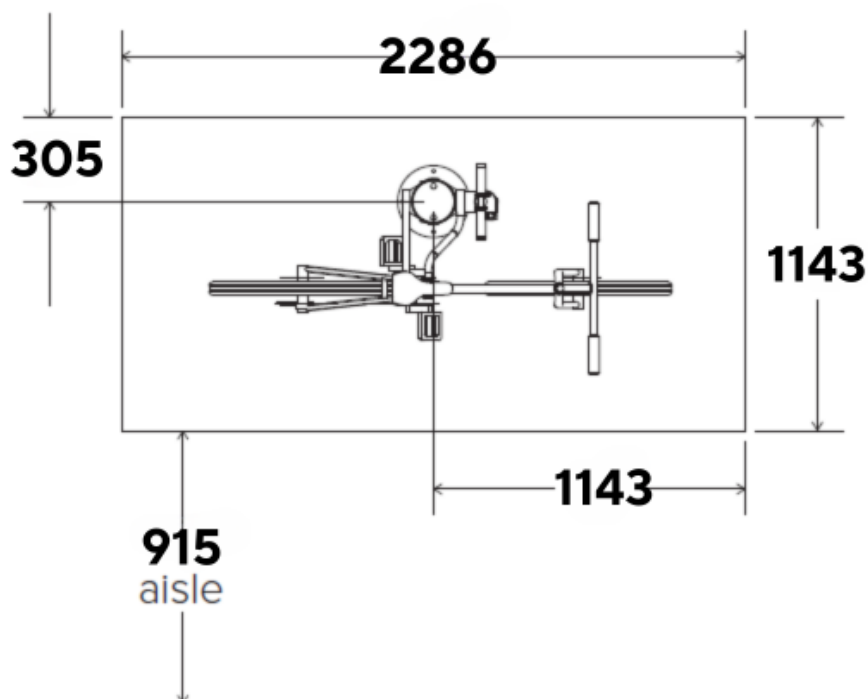


Technical Details

| | |
|--------------------------|---|
| Fixing | Bolt-down base plate |
| Materials & Construction | Main body: 152.4 dia x 4mm tube Bike Hanger: 25.4mm solid round bar Foot plate: 254mm dia x 6.35mm |
| Finish Options | Tool tethers: 4.76mm stainless steel cable Galvanised steel powder coat grey (standard) Add colour vinyl wrap Add branded graphic wrap |
| Dimensions (approx) | 1500 x 250 x 460mm |

Specification Text

Cycla Indoor and Outdoor Bicycle Repair Station - 1500H x 250W x 460D. Galvanised steel construction with grey power coat, complete with commonly used tools: Philips and flat head screwdrivers, Allen wrenches (2.5, 3, 4, 5, 6, 8mm), 32mm Headset wrench, 15mm Pedal wrench, Box wrenches (8, 9, 10, 11mm), T25 Torx wrench and Tyre levers (2). Connected to the station by braided stainless steel aircraft cables. Optional finishes: add colour vinyl wrap or branded graphic wrap. Product Code CY-FIXIT-1.



Visit civiq.com.au to access the most recent data, CAD files and installation instructions.